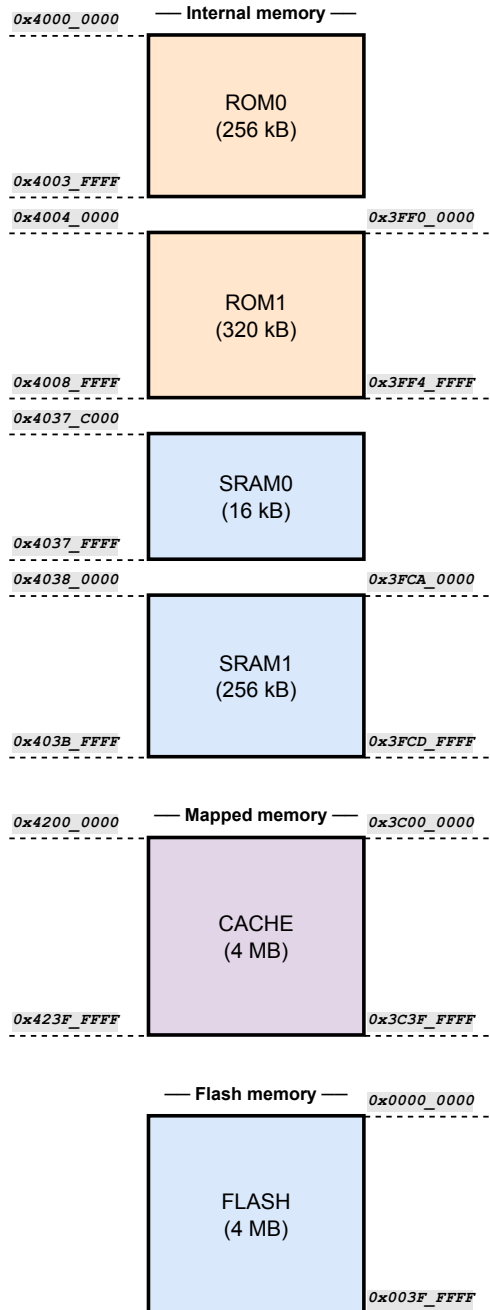
 **ESP32-C2
Memory Map**

I-BUS

D-BUS




0x6000_0000

 **ESP32-C2**

Peripherals

0x6000_0000 UART_BASE
0x6000_2000 SPI1_BASE
0x6000_3000 SPI0_BASE
0x6000_4000 GPIO_BASE
0x6000_5000 FE2_BASE
0x6000_6000 FE_BASE
0x6000_8000 RTCCNTL_BASE
0x6000_9000 IO_MUX_BASE
0x6000_8800 EFUSE_BASE
0x6000_E000 RTC_I2C_BASE
0x6001_0000 UART1_BASE
0x6001_3000 I2C_EXT_BASE
0x6001_9000 LEDC_BASE
0x6001_CC00 NRX_BASE
0x6001_D000 BB_BASE
0x6001_F000 TIMERGROUPO_BASE
0x6002_3000 SYSTIMER_BASE
0x6002_4000 SPI2_BASE
0x6002_6000 SYSCON_BASE
0x6003_B000 SHA_BASE
0x6003_E000 ECC_MULT_BASE
0x6003_F000 GDMA_BASE
0x6004_0000 APB_SARADC_BASE
0x6004_5000 WDEVLE_BASE
0x6004_B000 ETM_BIT_BASE
0x6004_B800 BLE_TIMER_BASE
0x6004_C000 BLE_SEC_BASE
0x6004_C400 COEX_BIT_BASE
0x6004_D800 MODEM_CLKRST_BASE
0x6004_E800 I2C_MST_BASE
0x600C_0000 SYSTEM_BASE
0x600C_1000 SENSITIVE_BASE
0x600C_2000 INTERRUPT_BASE
0x600C_4000 EXTMEM_BASE
0x600C_5000 MMU_TABLE
0x600C_E000 ASSIST_DEBUG_BASE
0x600C_F000 DEDICATED_GPIO_BA
0x600C_C000 XTS_AES_BASE
0x600D_0000 WORLD_CNTL_BASE

	Blk#	Bits	Purpose
 ESP32-C2 e-Fuses	0	136	SYSTEM
	1	88	MAC, SYS_DATA0, KEY0
	2	256	MAC, SYS_DATA1
	3	256	KEY1_DATA