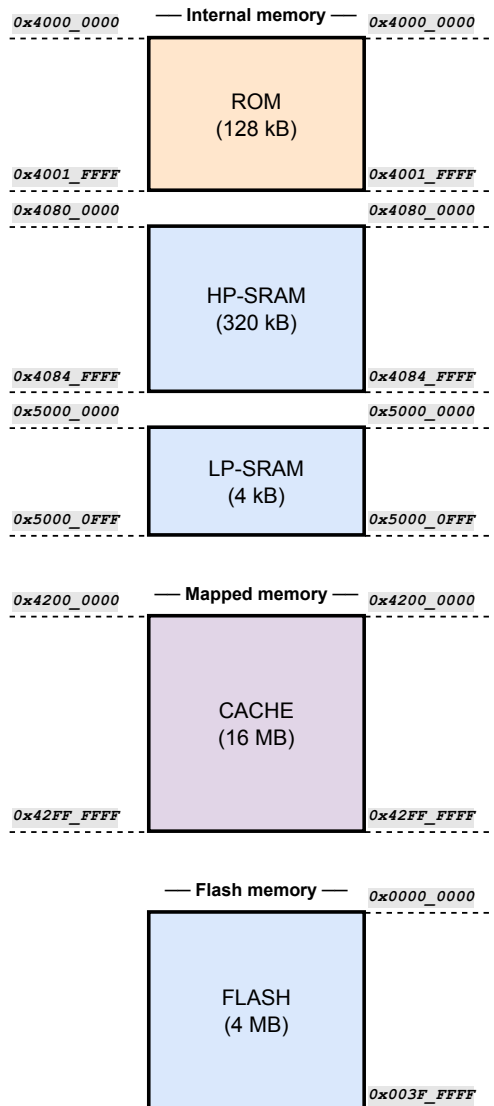
 **ESP32-H2**
Memory Map

I-BUS

D-BUS




0x6000_0000



ESP32-H2

Peripherals

0x6000_0000 UART_BASE
0x6000_1000 UART1_BASE
0x6000_2000 SPI0_BASE
0x6000_3000 SPI1_BASE
0x6000_4000 I2C_EXT0_BASE
0x6000_5000 I2C_EXT1_BASE
0x6000_6000 UHCI0_BASE
0x6000_7000 RMT_BASE
0x6000_8000 LEDC_BASE
0x6000_9000 TIMERGROUP0_BASE
0x6000_A000 TIMERGROUP1_BASE
0x6000_B000 SYSTIMER_BASE
0x6000_C000 TWAI_BASE
0x6000_D000 I2S_BASE
0x6000_E000 APB_SARADC_BASE
0x6000_F000 USB_SERIAL_JTAG_BASE
0x6001_0000 INTMTX_BASE
0x6001_2000 PCNT_BASE
0x6001_3000 SOC_ETM_BASE
0x6001_4000 MCPWM_BASE
0x6001_5000 PARL_IO_BASE
0x6001_9000 PVT_MONITOR_BASE
0x6008_0000 GDMA_BASE
0x6008_1000 SPI2_BASE
0x6008_8000 AES_BASE
0x6008_9000 SHA_BASE
0x6008_A000 RSA_BASE
0x6008_B000 ECC_MULT_BASE
0x6008_C000 DS_BASE
0x6008_D000 HMAC_BASE
0x6008_E000 ECDSA_BASE
0x6009_0000 IO_MUX_BASE
0x6009_2000 MEM_MONITOR_BASE
0x6009_3000 PAU_BASE
0x600B_2800 LPPERI_BASE
0x6009_1000 GPIO_BASE
0x6009_1f00 GPIO_EXT_BASE
0x6009_2000 MEM_ACS_MONITOR_BASE
0x6009_3000 REGDMA_BASE
0x6009_5000 HP_SYSTEM_BASE
0x6009_6000 PCR_BASE
0x6009_8000 TEE_BASE
0x6009_9000 HP_APM_BASE
0x6009_9800 LP_APM0_BASE
0x6009_F000 MISC_BASE
0x600A_D800 I2C_ANA_MST_BASE
0x600B_0000 PMU_BASE
0x600B_0400 LP_CLKRST_BASE
0x600B_0800 EFUSE_BASE
0x600B_0C00 LP_TIMER_BASE
0x600B_1000 LP_AON_BASE
0x600B_1C00 LP_WDT_BASE
0x600B_2000 LP_IO_BASE
0x600B_2C00 LP_ANALOG_PERI_BASE
0x600B_3800 LP_APM_BASE
0x600B_3C00 OTP_DEBUG_BASE
0x600C_0000 TRACE_BASE
0x600C_2000 ASSIST_DEBUG_BASE
0x600C_5000 INTPRI_BASE
0x600C_8000 CACHE_BASE
0x600A_0810 PWDET_CONF_REG
0x600A_3000 IEEE802154_REG_BASE

		Blk#	Bits	Purpose
 ESP32-H2 e-Fuses	0	640	SYSTEM	
	1	133	MAC, SPI_PAD, SYS_DATA0	
	2	256	SYS_DATA1	
	3	256	USR_DATA*	
	4	256	KEY0_DATA*	
	5	256	KEY1_DATA*	
	6	256	KEY2_DATA*	
	7	256	KEY3_DATA*	
	8	256	KEY4_DATA*	
	9	256	KEY5_DATA*	
	10	256	SYS_DATA2	

(*) RD/WR can be disabled