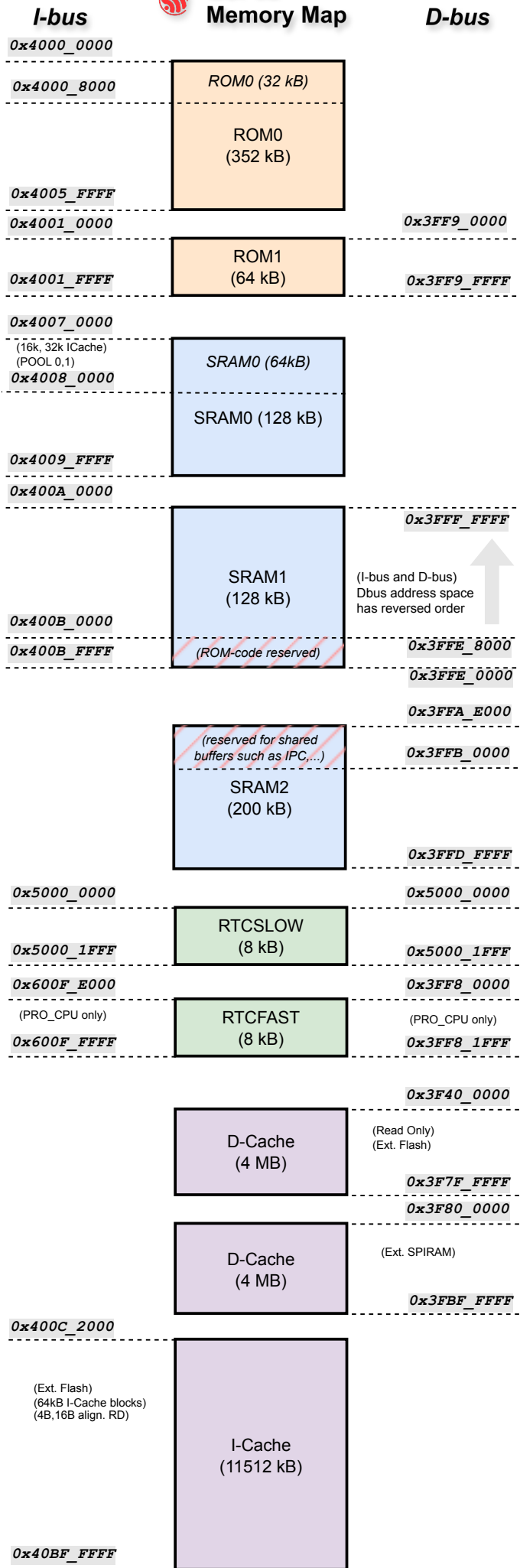



ESP32 Memory Map



(I-bus and D-bus)
Dbus address space
has reversed order



	<i>Blk#</i>	<i>Bits</i>	<i>Purpose</i>
 ESP32 e-Fuses	0	256/192/128	Depends on coding scheme
	1	256/192/128	Depends on coding scheme
	2	256/192/128	Depends on coding scheme